



MERCER VI

72" x 36" Skirted Acrylic Whirlpool

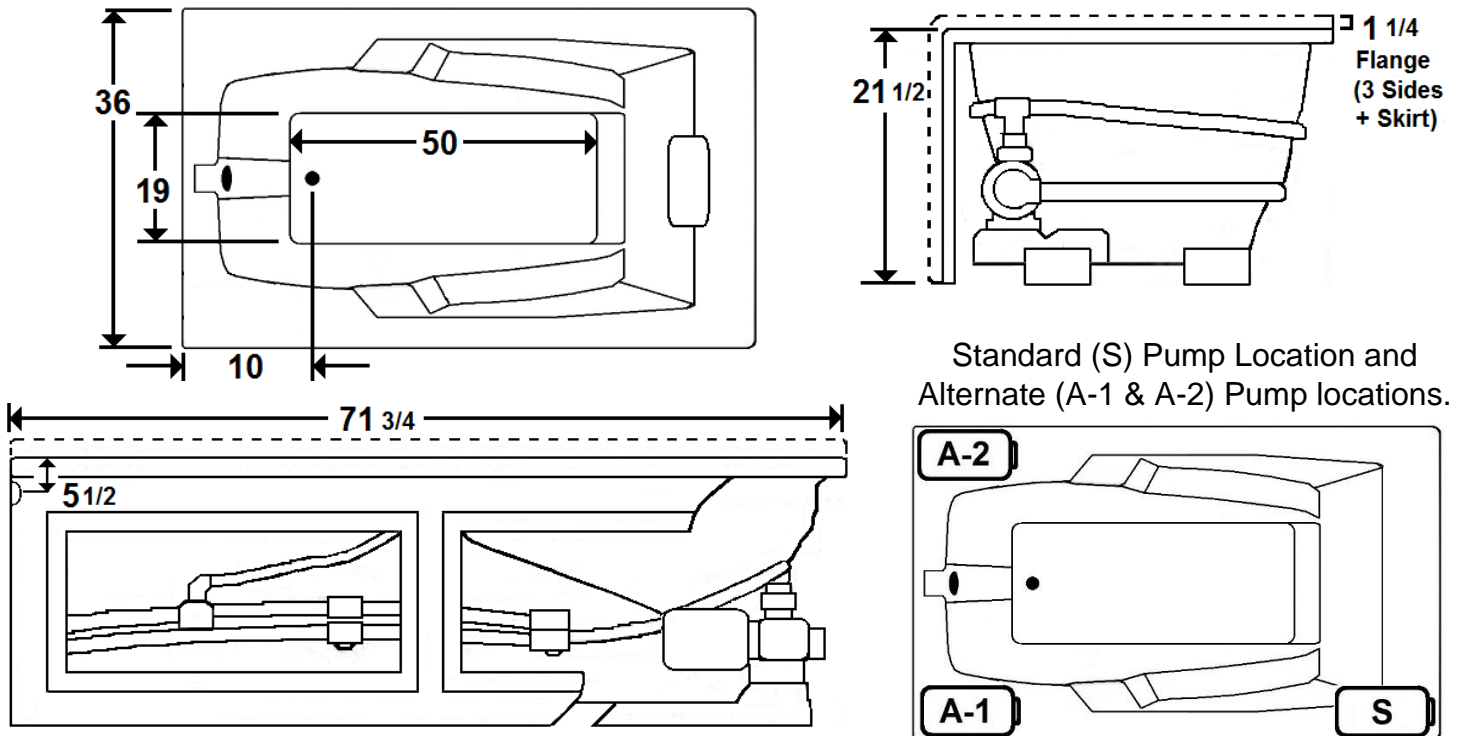
Model Number
3672MWSR064
Right Hand Drain Whirlpool in White
3672MWSL064
Left Hand Drain Whirlpool in White

Features

- Color-matched jet trim
- 10 adjustable hydrotherapy jets
- Pillow included
- Constructed of high-gloss durable acrylic
- 3-Speed control for the 13.5 Amp pump
- Inline heater available – LM300
- Mood light available – LM522
- Pre-leveled base for easy installation
- Made in the USA



All dimensions are +/- 1/2" and subject to change without notice
Confirm specifications before installation



Technical Information

- Weight: 135 lbs.
- Water Depth to Overflow: 15 1/4"
- Water Operating Level: 51 gal.
- Water Capacity: 71 gal.
- Sump Dimension: 50" x 19"

Electrical Requirements.

- Standard Pump: 13.5 Amps
- (Optional) LM300 Heater: 12 Amps
- (Optional) LM509 Back Massage: 5 Amps
- Dedicated GFCI's required for each option.

MERCER VI

3672MWSR064
Right Hand Drain Whirlpool in White
3672MWSL064
Left Hand Drain Whirlpool in White

Whirlpool

Experience a powerful, deep tissue therapeutic massage, which will soothe muscles & joints while releasing tension. Our ten standard, high performance jets will promote increased blood flow, improved flexibility and help reduce accumulated toxins.

Laurel Mountain enables you to enhance your bathing experience by offering a broad range of options to customize your bath. The options available on this bath are shown below.

AVAILABLE OPTIONS & UPGRADES

For Pricing, visit the "Help" page at www.laurelmountainwhirlpools.com. Download the Price book. For pictures and descriptions of options, go to www.laurelmountainwhirlpools.com and click "options" tab found at the bottom of the website.

Therapeutic

LM300 Inline Heater	BACK MASSAGE SYSTEMS	
LM522 Chromatherapy	LM505 Chrome	LM509 White
LM515 Neck Massage Pillow	LM506 Brushed Nickel	LM510 Biscuit
	LM507 Bronze	

Accessories

WHIRLPOOL TRIM KITS	CABLE OPERATED DRAINS	8" GRAB BARS
LM101 Chrome	LM200 Chrome	LM230 White
LM102 Brushed Nickel	LM201 Brushed Nickel	LM231 Biscuit
LM103 Bronze	LM202 Bronze	
	LM210 White	LM321 Electronic Control
LM335 Ozonator (Sanitizing System)	LM211 Biscuit	Timer, & Variable Speed Pump

Design / Construction

LM545 A-1 Pump Loc	LM546 A-2 Pump Loc
---------------------------	---------------------------

INSTALLATION

Install this unit according to the Owner's Manual. The Owner's manual can be found by visiting the "Help" page at www.laurelmountainwhirlpools.com. Select "Installation" on the right side of the page. Then click on the "Colony Owner's Manual".